

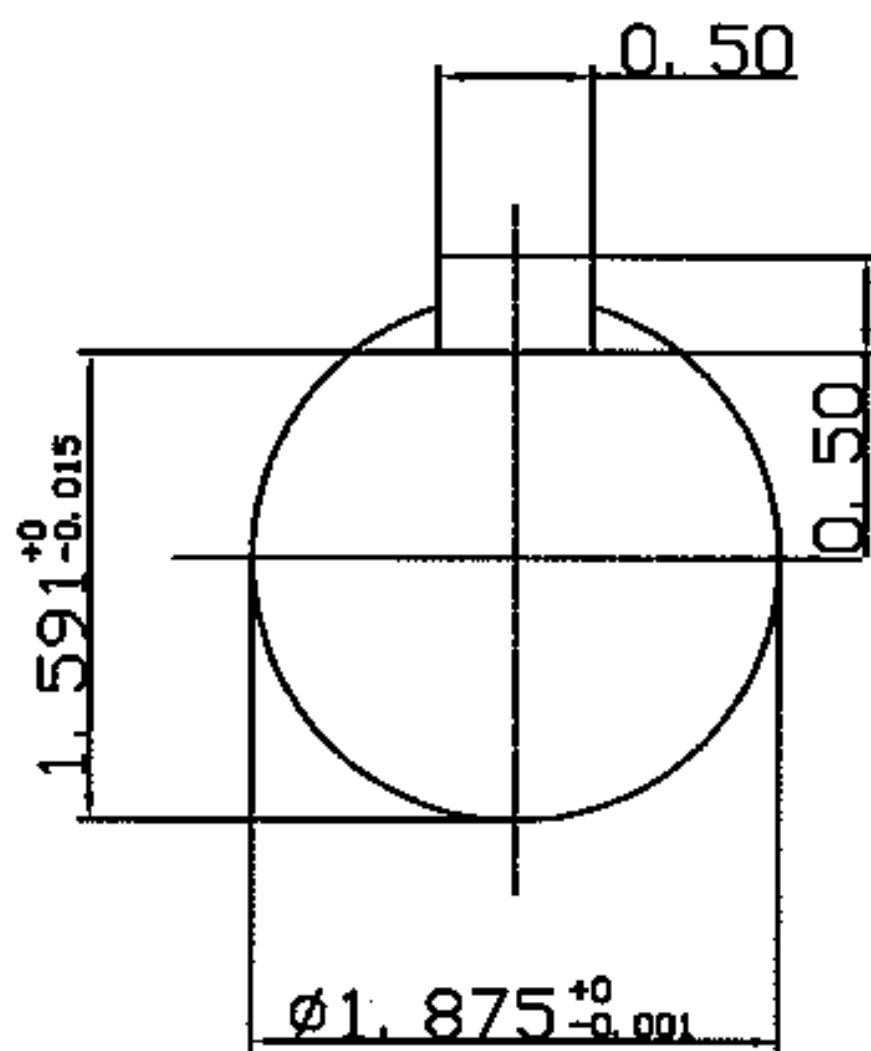
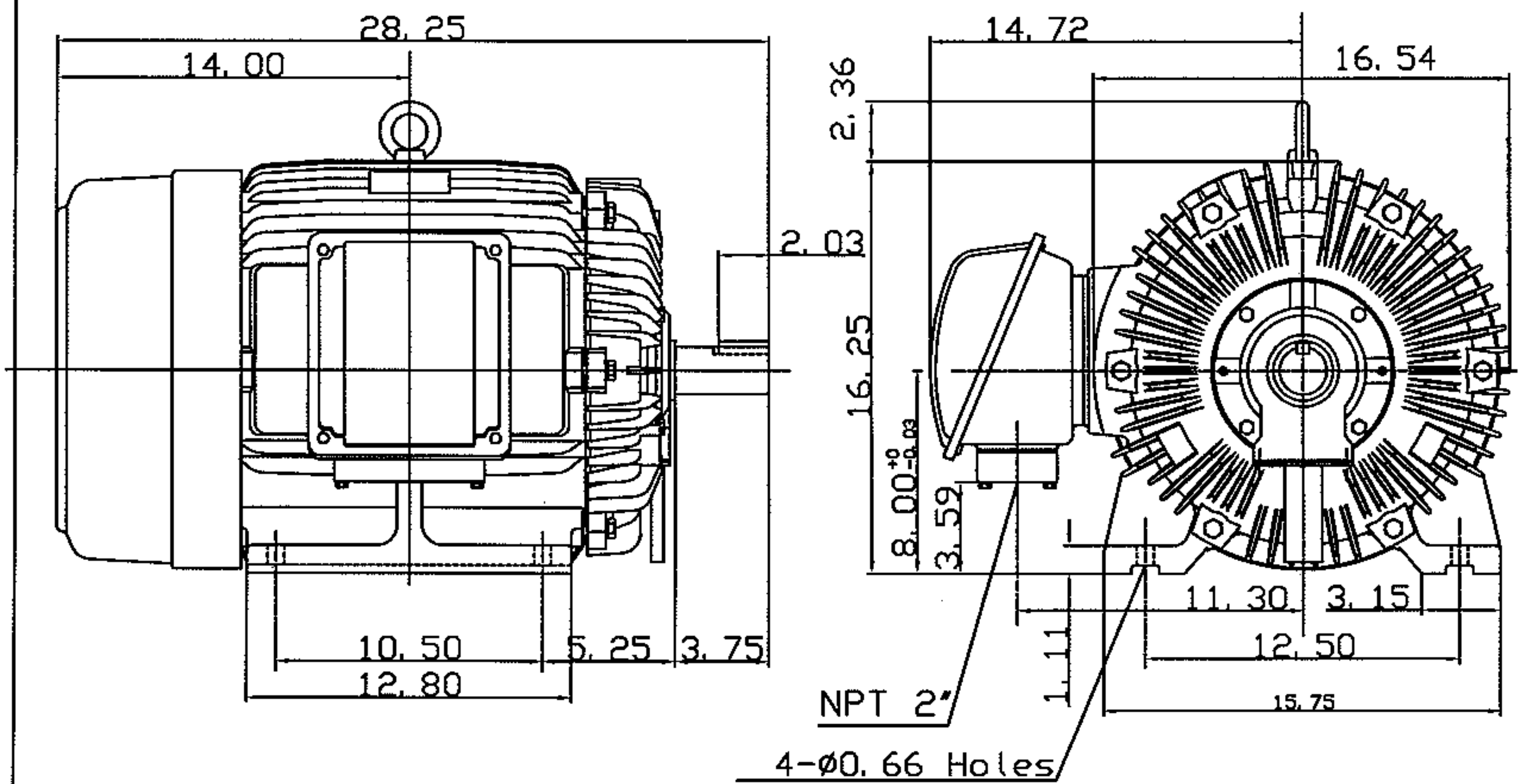
# OBSOLETE

DATE JULY 13, 2004	OUTLINE DIMENSIONS	MOTOR TYPE: AEEANE
CATALOG NO. NO402	3-PHASE INDUCTION MOTOR	FRAME NO. 324TS

Pole	HP	kW	Hz	VOLT	Syn. Speed r/min(rpm)
2	40	30	60	230/460	3600

Ins	Rating	Dimension in	Approx Weight	Bearings
F	CONT.	inches	555 lbs.	DE: 6312C3 NDE: 6212C3

Totally Enclosed Fan-Cooled Type. Squirrel-cage Rotor.



CERTIFIED

DWN.	S. M. JEAN	05-22-04	<b>TECO</b> <b>Westinghouse</b>	DWG NO.
CHKD.	C. H. SHYU	05-22-04		31049U514060
APPD.	M. C. TSAI	05-22-04		

# OBSOLETE

## TECO Westinghouse

ISSUED <b>03/08/05</b>	<b>PERFORMANCE DATA</b>	ENCLOSURE <b>TEFC</b>
TYPE <b>AEEANE</b>	<b>3-PHASE INDUCTION MOTOR</b>	CATALOG# <b>N0402</b>

### NAMEPLATE INFORMATION

OUTPUT		POLE	FRAME SIZE	VOLTAGE	HZ	RATED AMBIENT	INS. CLASS	NEMA DESIGN	TIME RATING	SERVICE FACTOR
HP	KW									
<b>40</b>	<b>30</b>	<b>2</b>	<b>324TS</b>	<b>230/460</b>	<b>60</b>	<b>40°C</b>	<b>F</b>	<b>B</b>	<b>CONT.</b>	<b>1.15</b>

### TYPICAL PERFORMANCE

FULL LOAD RPM	EFFICIENCY				POWER FACTOR			MAXIMUM POWER FACTOR CORRECTION
	FULL LOAD		3/4 LOAD	1/2 LOAD	F. L.	3/4 LOAD	1/2 LOAD	
	MIN. %	NOM. %	%	%	%	%	%	
<b>3550</b>	<b>90.2</b>	<b>91.7</b>	<b>92.4</b>	<b>91.7</b>	<b>89.5</b>	<b>89</b>	<b>84.5</b>	<b>6 KVAR</b>

### CURRENTS

NO LOAD			FULL LOAD			LOCKED ROTOR			NEMA KVA CODE LETTER
AT	AT	AT	AT	AT	AT	AT	AT	AT	
208 VOLT	230 VOLT	460 VOLT	208 VOLT	230 VOLT	460 VOLT	208 VOLT	230 VOLT	460 VOLT	
<b>17.98</b>	<b>16.26</b>	<b>8.13</b>	<b>100.96</b>	<b>91.30</b>	<b>45.65</b>	<b>641.35</b>	<b>580.00</b>	<b>290.00</b>	<b>G</b>

### TORQUE

### INERTIA

### ACCEL TIME

FULL LOAD lb-ft	LOCKED ROTOR %FLT	PULL UP %FLT	BREAK DOWN %FLT	ROTOR WR <sup>2</sup> lb-ft <sup>2</sup>	NEMA LOAD WK <sup>2</sup> lb-ft <sup>2</sup>	MAX ALLOWABLE WK <sup>2</sup> lb-ft <sup>2</sup>	NEMA LOAD WK <sup>2</sup> Sec	MAX ALLOWABLE WK <sup>2</sup> Sec
<b>59.16</b>	<b>170</b>	<b>140</b>	<b>250</b>	<b>3.411</b>	<b>40</b>	<b>86</b>	<b>4.26</b>	<b>8.78</b>

SAFE STALL TIME IN SECONDS		ALLOWABLE STARTS PER HOUR		SOUND PRESSURE LEVEL @ 3 FT dB(A)
COLD	HOT	COLD	HOT	
<b>17</b>	<b>12</b>	<b>2</b>	<b>1</b>	

CERTIFIED

APPROVED:	<b>M. PRATER</b>	DRAWING NO.	<b>31057N0402</b>	REVISION <b>0</b>
-----------	------------------	-------------	-------------------	-------------------